

Features

- ✧ Easy Installation
- ✧ Operation without external power supply
- ✧ Designed to comply with EN 54-18:2005

Description

VG-6717 Digital Monitor Interface is designed to monitor working states of active firefighting equipment, including water flow indicator, pressure switch etc., transmitting action signals from those devices to the fire alarm control panel (FACP) through a loop.



Technical data

Operating Voltage:	16-28V(Modulated-pulse)
Standby Current:	≤0.5mA
Alarm Current:	≤1.0mA
Wiring	Two-wire (non-polarized)
Temperature range:	-10℃~50℃
Humidity:	≤95%RH, (40±2℃) No condensation
Operating Indication:	Operate LED Flashing
Signal Input:	Action LED Emitting
Fault Indication:	Operate LED Off
IP Rating:	32 (Not EN-54 Approved)
Installation Base	VG-6618

Installation

- ✧ **Dimensions: Showing on Fig.1**

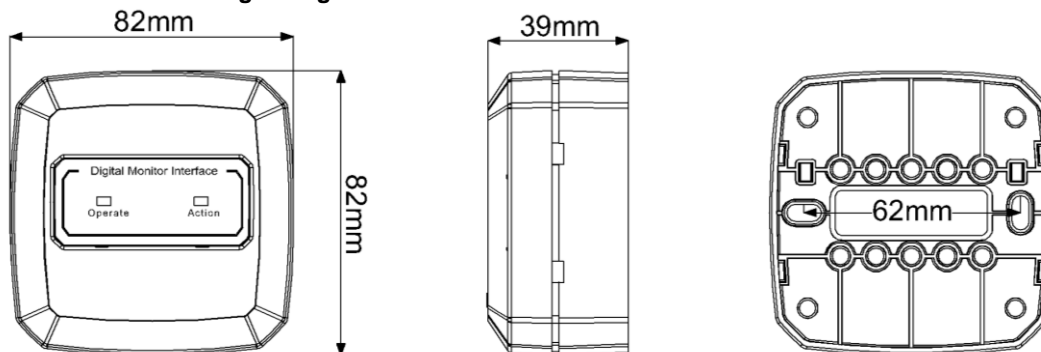


Fig.1

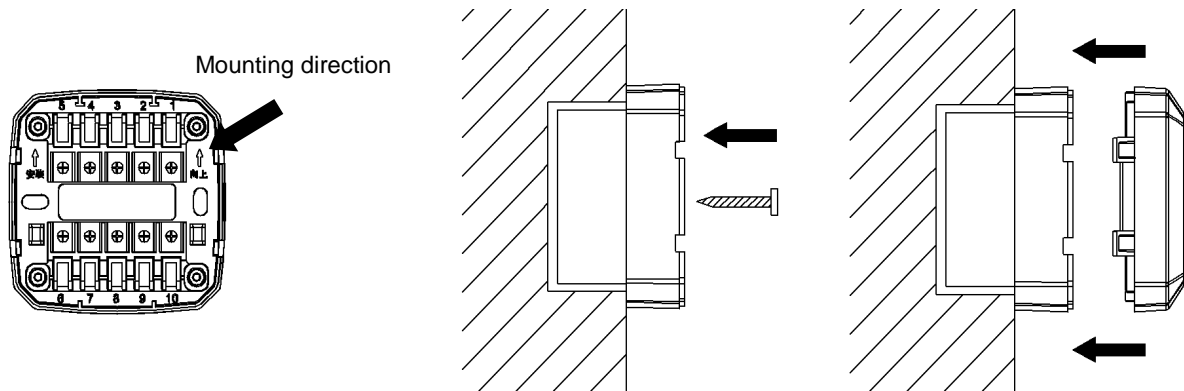
- ✧ **Mounting:**

Warning: Please disconnect the loop power in order to avoid control panel broken by short circuit when mounting Base.

1. Make sure the mounting direction mark “↑” on Base is upwards .
2. Install the base stable by using two screws, and connect all cables in accordance with wiring details.
3. Install the monitor interface body on to base directly.

Company: V-GREAT GLOBAL CORPORATION

Add.: Second Floor, Capital City, Independence Avenue, P.O. Box 1008, Victoria, Mahe, Seychelles



4. Monitor interface Mounting showing in Fig.2

Fig.2

Terminal Connection

- 1, 2: Connecting with Detection loop (Non-polarized) L+; L-
- 2, 9, 10: Connecting with input signal contact.
- Loop wiring is shown in Fig.3.1.
- Use RSV 1.0mm² or above fire cable for each terminal. Laid through metal tube (cable sink) or PVC tube.

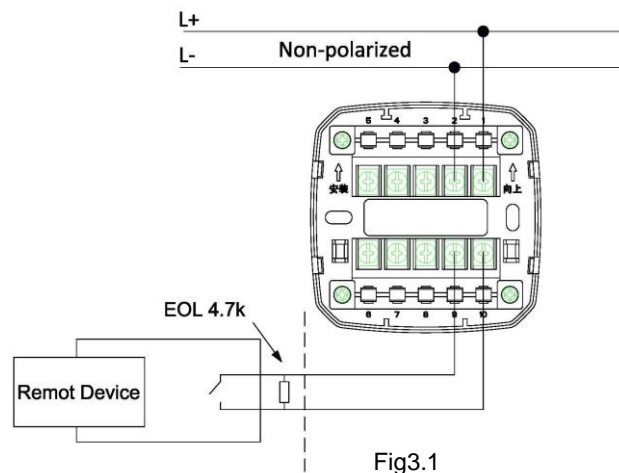


Fig3.1

Note:

It must connect with Passive switch signal at input contact.

Address setting

- VG-6532 Digital Programmer is used to write an address of the FS-MM200. Connecting Programmer with loop terminals of FS-MM200 before it installation.
- Set address: Pressing Write key, the address will be shown on the numeric display if successful. It is fail if there is no address. Please refer to VG-6532 Digital Programmer Manual for details.
- Address range should be within 0—255. The address is unique in a loop.

Testing

Warning: Do not switch on the power until all devices are installed completely.

It's important that to test after the "Monitor Interface" has been installed.

- ❖ **Registration:** The fire alarm control panel will registers the Monitor Interface on line to check if the address

Company: V-GREAT GLOBAL CORPORATION

Add.: Second Floor, Capital City, Independence Avenue, P.O. Box 1008, Victoria, Mahe, Seychelles

of the Monitor Interface mounted is the same address as that registered in the control panel.

- ✧ **Input test:** Short circuit “Monitor interface” inputs, the “Action” LED illuminate steadily and the control panel will give the feed-back indication.
- ✧ **Reset:** Reset the monitor interface through control panel after test.

Fault Finding

Monitor Interface Fault on Control Panel	<p>Check wiring of Monitor Interface base, no water no short-circuits and open circuit.</p> <p>Check the connection between Module body and common base.</p> <p>Internally fault of monitor Interface</p>
LED Operate Off	<p>Check the connection between Module body and common base.</p> <p>Check the connection of EOL 4.7k.</p>
No response or missing	Incorrect address setting.
Address Fault	Address is set incorrectly, Reset by VG-6532 Digital Programmer.

Cautions

1. Dust cover on monitor Interface shouldn't be removed between installation and acceptance test to avoid damage
2. If the monitor interface gives a fault after a long operation, first check if it is damaged, wiring fault or the position is changed. At last, other faults should be taken into consideration.
3. Fire alarm test requirement as specified in applicable codes, we suggest to test every 12 month.

Limited Warranty

We warrants that the product will be free of charge for repairing or replacing from defects in design, materials and workmanship during the warranty period. This warranty doesn't cover any product that is found to have been improperly installed or used in any way not in accordance with the instructions supplied with the product. Anybody, including the agents, distributors or employees, is not in the position to amend the contents of this warranty. Please contact your local distributor for products not covered by this warranty.